

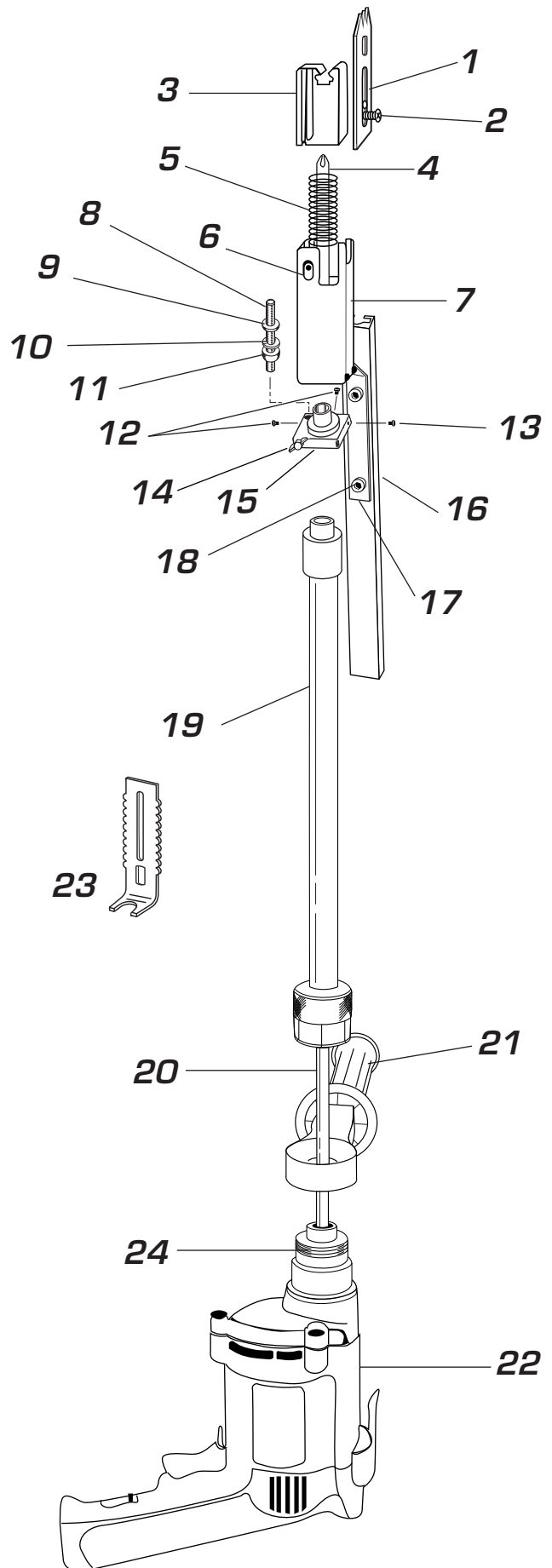
# SuperDrive®

Automatic Screw Delivery System

## 7540HXT

### REPLACEMENT PARTS

3/4" - 3" Screw Capacity



- 1) Subfloor Nosepiece (CWFA01-03)
- 2) NosePiece Screw (CWFB13)
- 3) Indexing Module (CWFB075)
- 4) Bit (CW178JBW or CW178)
- 5) Main Spring (CWS165)
- 6) Retaining Clip w/ Screw (CWFD08-1)
- 7) Indexing Body (CWDFD01-136)
- 8) Depth Control Bar (CWFD20-75)
- 9) Spring Washer for Depth Control (CWFD17)
- 10) Steel Locknut for Depth Control (CWFD19)
- 11) Depth Control Adjustment Ring (CWFD18)
- 12) Cap Screws x 2 (CWFD02-10)
- 13) Cap Screw x 1 (CWFD02-8)
- 14) Body Wing Screw (CWFD04)
- 15) End Plate (CWFD15)
- 16) Feed Track (F-TRACK)
- 17) Z-Clip Bar for F-Track (SBD)
- 18) F-Track Screws x 5 (CWF5)
- 19) Extension (SDEXT3)
- 20) Bit Extension (EXT520)
- 21) Handle Assembly (38227200)
- 22) HITACHI (W6V3), 4000 RPM
- 23) Deck / Drywall Nosepiece (CWFA01-01)
- 24) Hitachi Coupler (SDCHW6V)