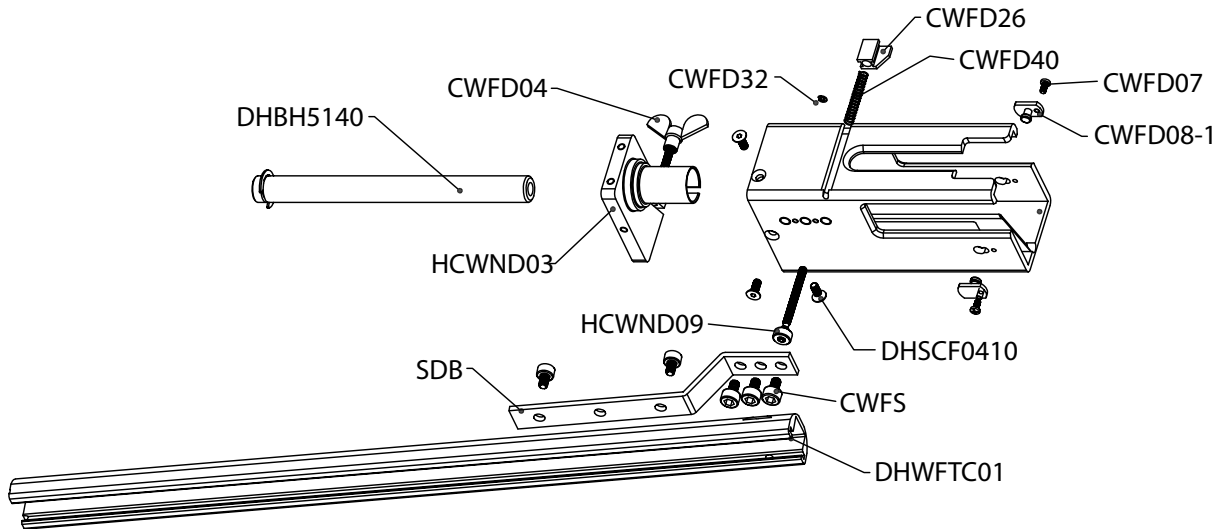
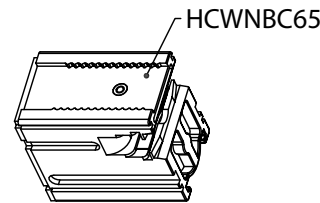
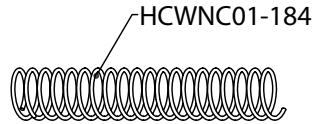
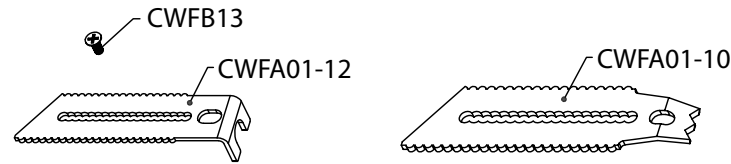


SuperDrive® 65 Series

WIDE TAPE TOOL CWW65F



PARTS LIST - 65 SERIES TOOL

		QTY
HCWNBC65	MODULE	1
HCWNC01-184	SPRING 1.8mm	1
CWFB13	NOSEPIECE FLAT HEAD SCREW M4x10mm	1
CWFA01-10	NOSEPIECE METAL-TO-METAL	1
CWFA01-12	NOSEPIECE DECK/DRYWALL	1
HCWNC03	END PLATE FOR 65	1
CWFA04	WING SCREW FOR END PLATE	1
DHSCF0410	BODY SCREW FLAT HEAD M4x10	3
CWFD07	RETAINER SCREW - M3x6	2
CWFD08-1	RETAINER FOR MODULE 3mm	2
SDB	BRACKET FOR FEEDTRACK	2
CWFS	FEED TRACK HEX SOCKET SCREW 1/4" -20 x 7.4mm	5
DHWFTC01	FEED TRACK 65 TOOL	1
DHBH5140	BIT SLEEVE	1

DEPTH ADJUSTMENT PARTS

		QTY
CWFD26	DEPTH CONTROL RETAINER	1
CWFD40	DEPTH CONTROL SPRING	1
HCWNC09	DEPTH ADJUSTMENT WHEEL	1
CWFD32	SNAP E RING E2	1



GRABBER
800.477.TURN
www.grabberman.com